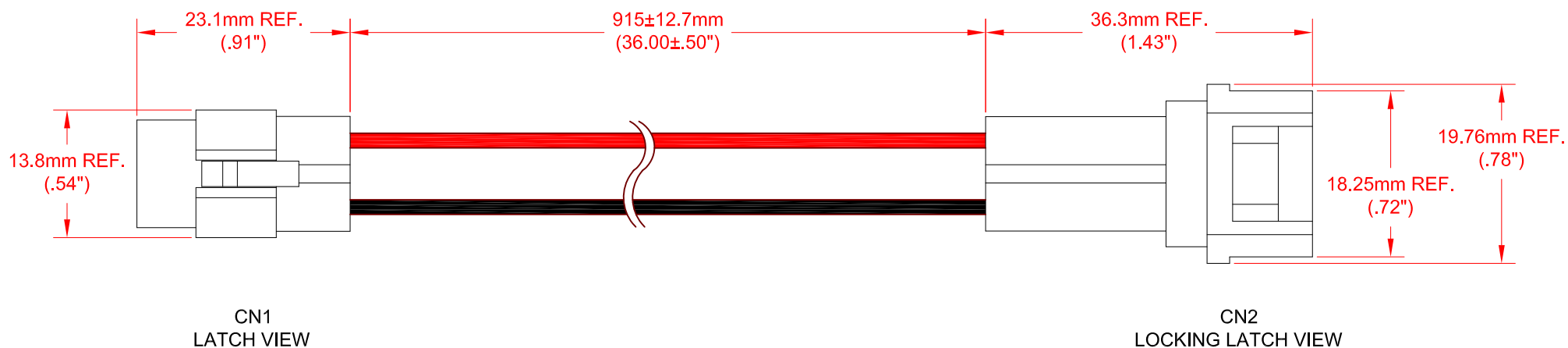


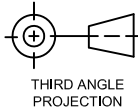
REV.	DESCRIPTION/ECO NO.	DATE
	RELEASE	11/27/12
A	LEAD LENGTH TO 915±12.7	11/25/13



CONNECTOR	PIN	CONNECTOR	PIN	WIRE TYPE	AWG	COLOR
CN1	1	CN2	2	UL 1007	22	RED
	2		1	UL 1007	22	BLACK

JKL PART NO.: ZWF-915-J

USED WITH JKL ZWF-MULTI LED LIGHT BARS

METRIC  THIRD ANGLE PROJECTION	DIMENSIONS ARE IN mm (INCHES)		JKL COMPONENTS CORPORATION TITLE JOINER CONNECTOR HARNESS			
	TOLERANCE UNLESS OTHERWISE SPECIFIED					
DRAWN BY L. WENGSTROM		APPV'D BY L.R.	DATE 11/25/13	SIZE A	FSCM NO. 55335	DRAWING NO. ZWF-915-J
- CAD DRAWING - MANUAL REVISIONS NOT PERMITTED				SCALE NONE	RELEASED DATE 11/27/12	REVISION DATE 11/25/13
					REV. NO. A	SHEET 1 OF 1